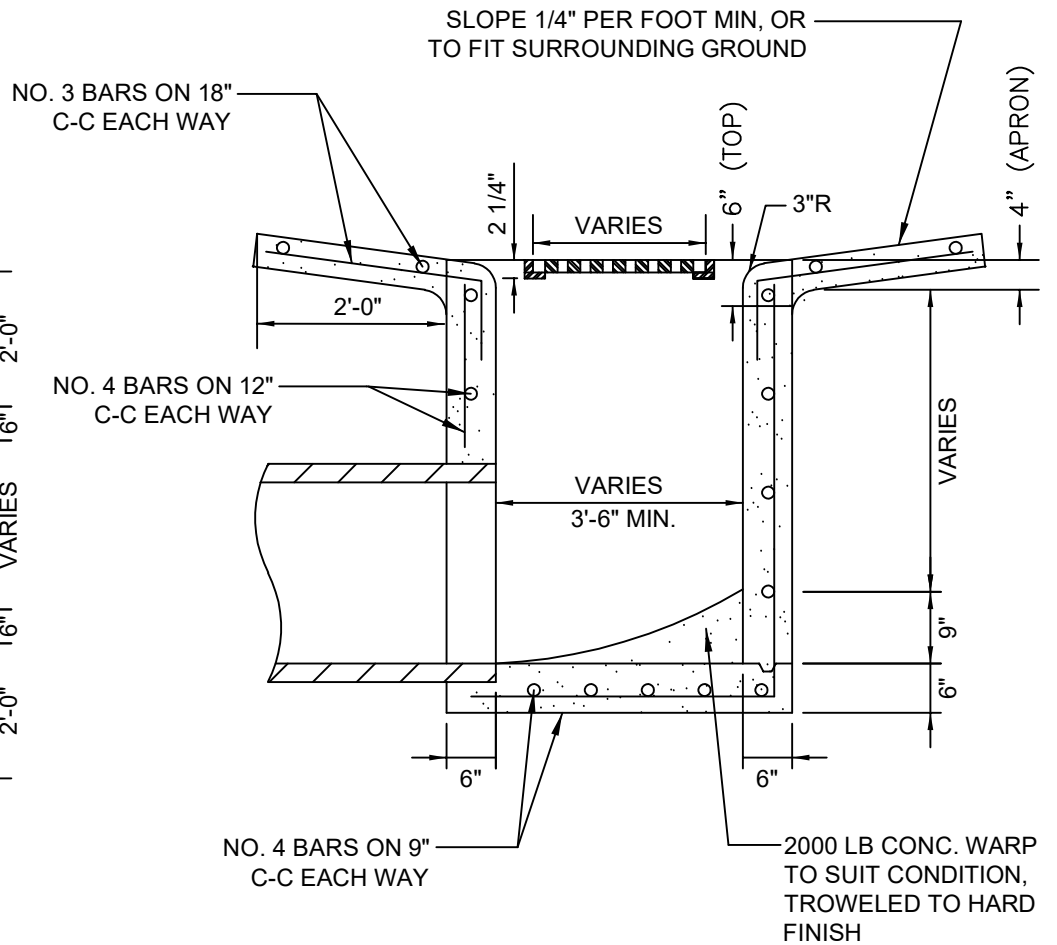
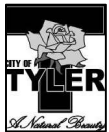


(APRON SUBSIDIARY TO INLET)

PLAN



SECTION "A-A"



CITY OF TYLER
STANDARD DETAIL

STORM SEWER AREA INLET

REVISION DATE:
MAY 14, 2021