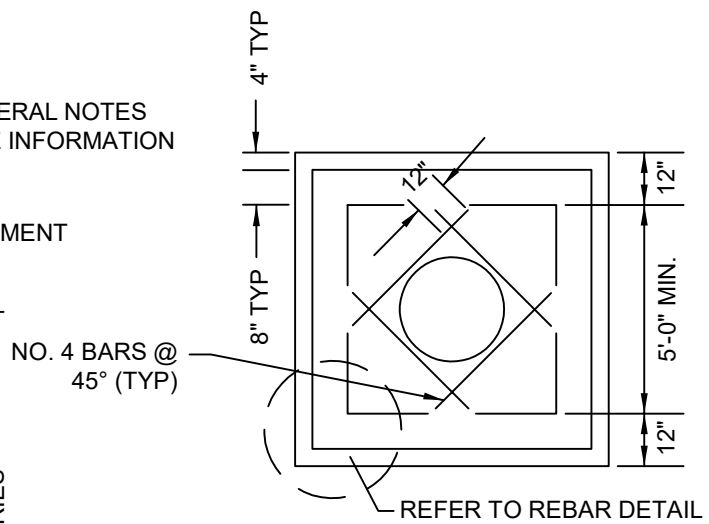
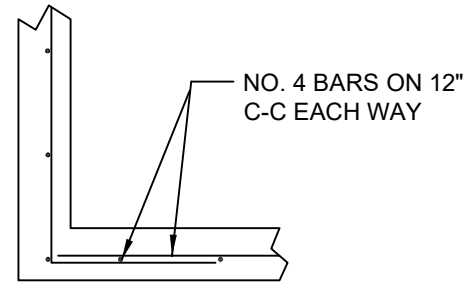


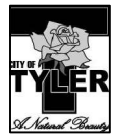
SECTION VIEW



TOP VIEW



REBAR DETAIL



CITY OF TYLER
STANDARD DETAIL

STORM SEWER JUNCTION BOX

REVISION DATE:
MAY 14, 2021