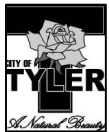
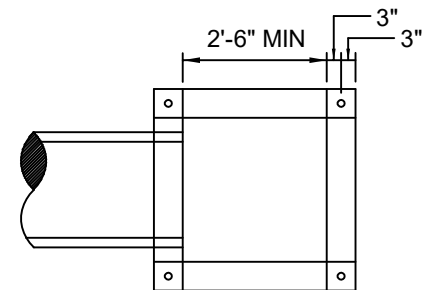
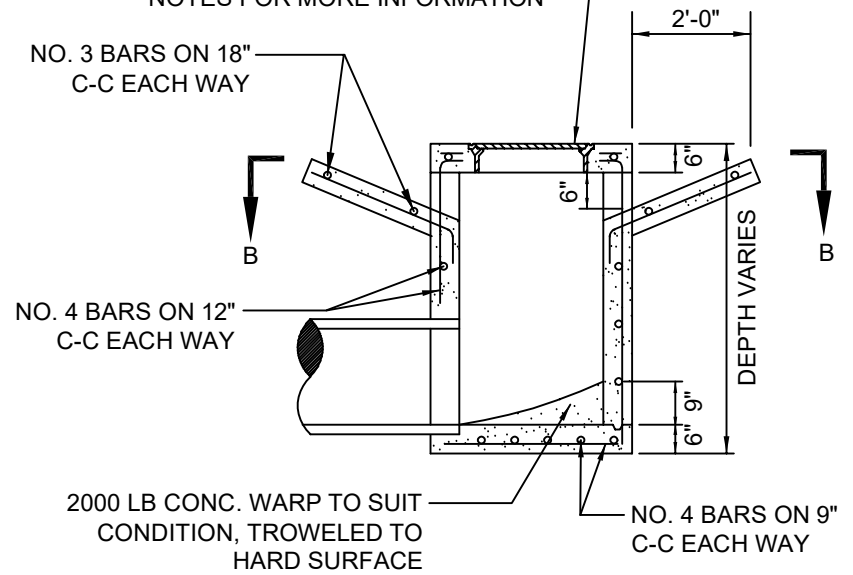


INLET RING & COVER, SEE STORM SEWER GENERAL NOTES FOR MORE INFORMATION



**CITY OF TYLER**  
STANDARD DETAIL

**STORM SEWER "Y" INLET**

REVISION DATE:  
MAY 14, 2021